



INSTALLATION INSTRUCTIONS
SIDE BAR PART #204013/204013-2
2000 - 2010 CHEVROLET/GMC HEAVY DUTY CREW CAB 2/4WD
2001 - 2006 CHEVROLET/GMC SUBURBAN-YUKON XL 1500
01-10 AVALANCHE 1500 2/4WD

PARTS LIST

- | | |
|---------------------------------------|--------------------------------|
| (2) SIDE TUBES WITH STEPS | (4) ½" x 2" HEX HEAD BOLTS |
| (2) FRONT MOUNT BRACKETS | (16) ½" x 1 ½" OD FLAT WASHERS |
| (2) REAR MOUNT BRACKETS | (10) ½" SPLIT LOCK WASHERS |
| (2) CENTER MOUNT BRACES | (2) 3/8" x 1" HEX HEAD BOLTS |
| (6) M12 - 1.75 x 120mm HEX HEAD BOLTS | (2) 3/8" SPLIT LOCK WASHERS |
- (note -these bolts only used for 2005 and earlier- use existing bolts for 2006 and up.

PROCEDURE

1. Begin installation by working on driver side of the vehicle (see Figures 1.1 - 1.4).
2. From underneath truck, loosen and remove body mount bolts that run upward through mounts into floorboard. Attach and secure Front Mount Bracket to underside of vehicles front body mount (see Figure 1.2) with (1) M12 - 1.75 x 120mm bolt, (1) ½" split lock washer, and (1) ½ x 1 ½" OD flat washer. Hand Tighten.
3. Attach and secure Rear Mount Bracket to underside of vehicles rear body mount as shown in Figure 1.4, in the same manner as the front. Repeat for Center Brace, but insert (2) ½ x 1 ½" OD spacer washers between Center Brace and center body mount (see Figure 1.3).
4. Attach Side Tube to Front and Rear Brackets using (1) ½" x 2" bolt, (1) ½" lock washer and (1) ½" flat washer for each bracket, and hand tighten. Fasten Center Brace to Side Tube using (1) 3/8" x 1" bolt, and (1) 3/8" split lock washer, and ½ x 1 ½" flat washer (used due to hole size on bracket). Adjust Side Tube so that it is level and centered, tighten all bolts to complete the driver-side assembly.
5. Repeat process for passenger side of vehicle to complete installation.

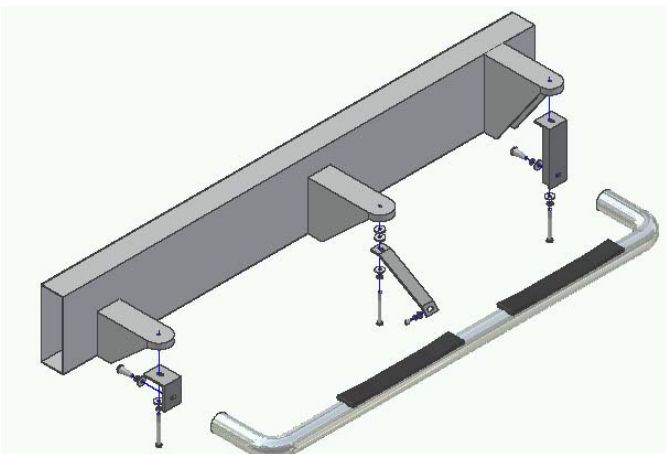


Figure 1.1 – Driver-Side Full Assembly View

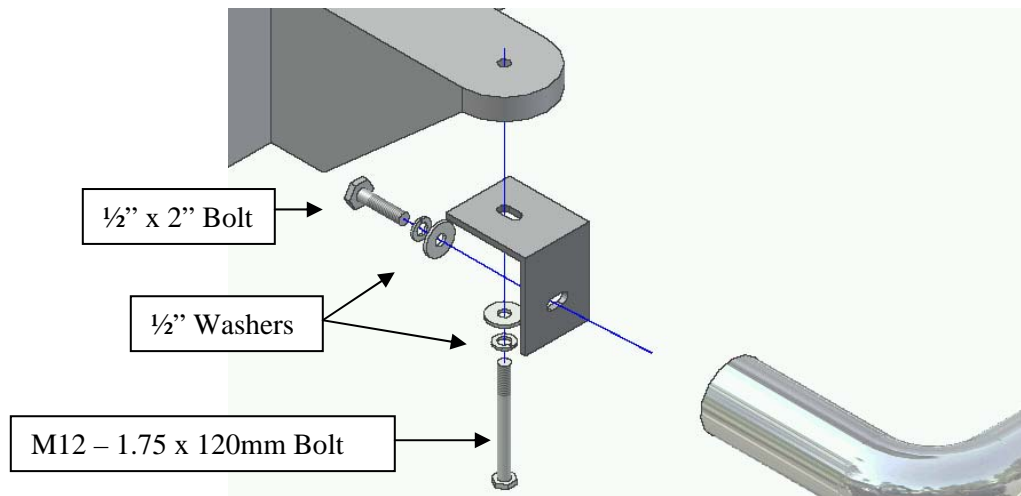


Figure 1.2 – Front Bracket

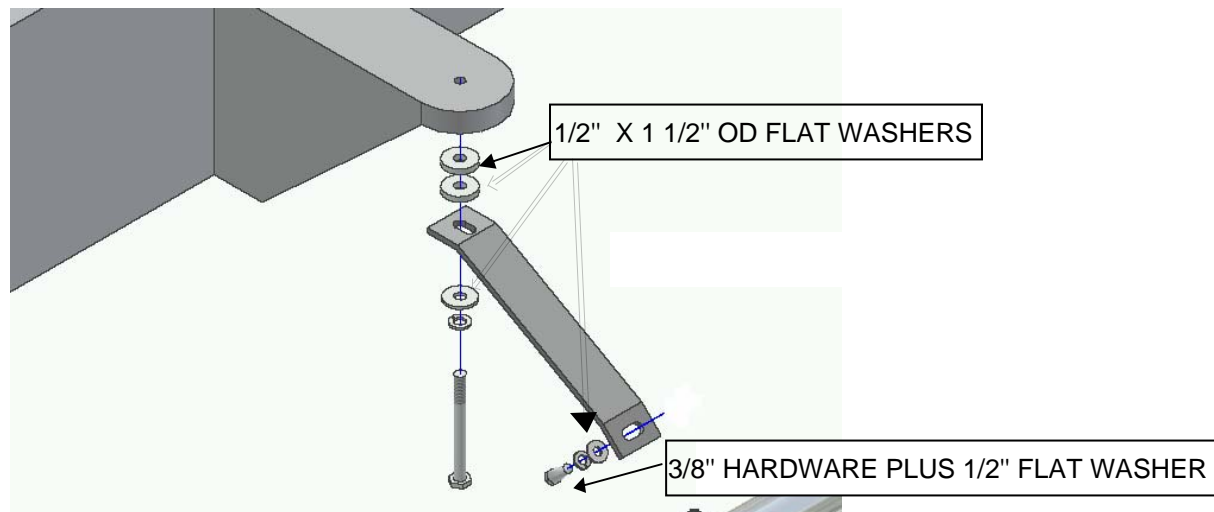


Figure 1.3 – Center Brace

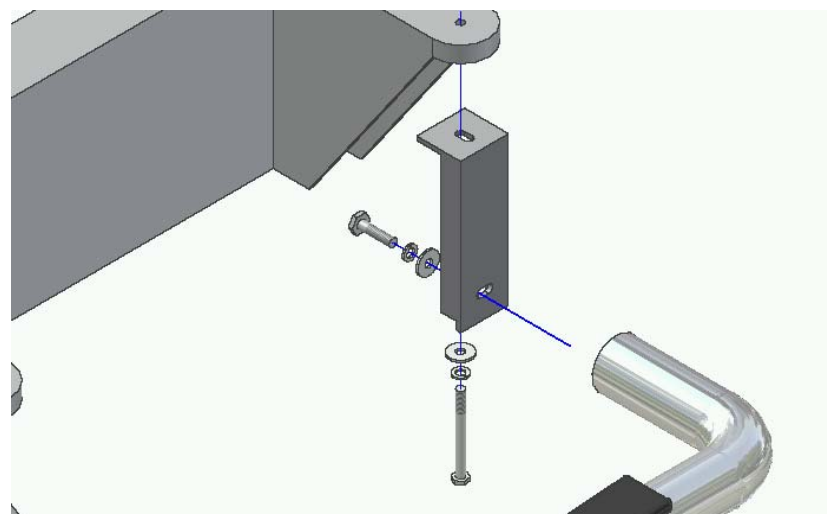


Figure 1.4 – Rear Bracket