



INSTALLATION INSTRUCTIONS
SIDE BAR PART #204009/204009-2
1999 - 2010 CHEVROLET SILVERADO
-GMC SIERRA EXTENDED CAB 2/4WD

PARTS LIST

(2) SIDE TUBES WITH STEPS	(8) ½" FLAT WASHERS
(2) FRONT MOUNT BRACKETS (SHORT)	(8) ½" SPLIT LOCK WASHERS
(2) REAR MOUNT BRACKETS	(4) 3/8" x 1" HEX HEAD BOLTS
(2) MOUNT BRACES	(8) 3/8" FLAT WASHERS
(4) M12 – 1.75 x 120mm HEX HEAD BOLTS	(4) 3/8" HEX NUTS
(4) ½" x 2" HEX HEAD BOLTS	(4) 3/8" SPLIT LOCK WASHERS

(2) ½ x 2OD (or square) -3/8" thick SPACERS (2007-UP- some models)

PROCEDURE

1. Begin installation by working on driver side of the vehicle (see Figures 1.1 – 1.3).
2. From underneath truck, loosen and remove body mount bolts that run upward through mounts into floorboard. Attach and secure Front Mount Bracket to underside of vehicles front body mount (see Figure 1.2) with (1) M12 – 1.75 x 120mm bolt, (1) ½" split lock washer, and (1) ½" flat washer. Hand Tighten. **Note: 2007 and up will need 2" Spacer (looks like thick washer) between the front bracket and floorboard.**
3. Attach and secure Rear Mount Bracket to underside of vehicles rear body mount in same manner as the front.
4. Fasten Mount Brace to Rear Mount Bracket and vehicles rear body mount using (1) 3/8" x 1" bolt, (2) 3/8" flat washers, 3/8" split washer and (1) hex nut, for each side of Mount Brace (see Figure 1.3). Hand tighten.
5. Attach Side Tube to Front and Rear Brackets using (1) ½" x 2" bolt, (1) ½" split lock washer, and (1) ½" flat washer for each bracket, and hand tighten. Adjust Side Tube so that it is level and centered, and tighten all bolts to complete the driver-side assembly.
6. Repeat process for passenger side of vehicle to complete installation.

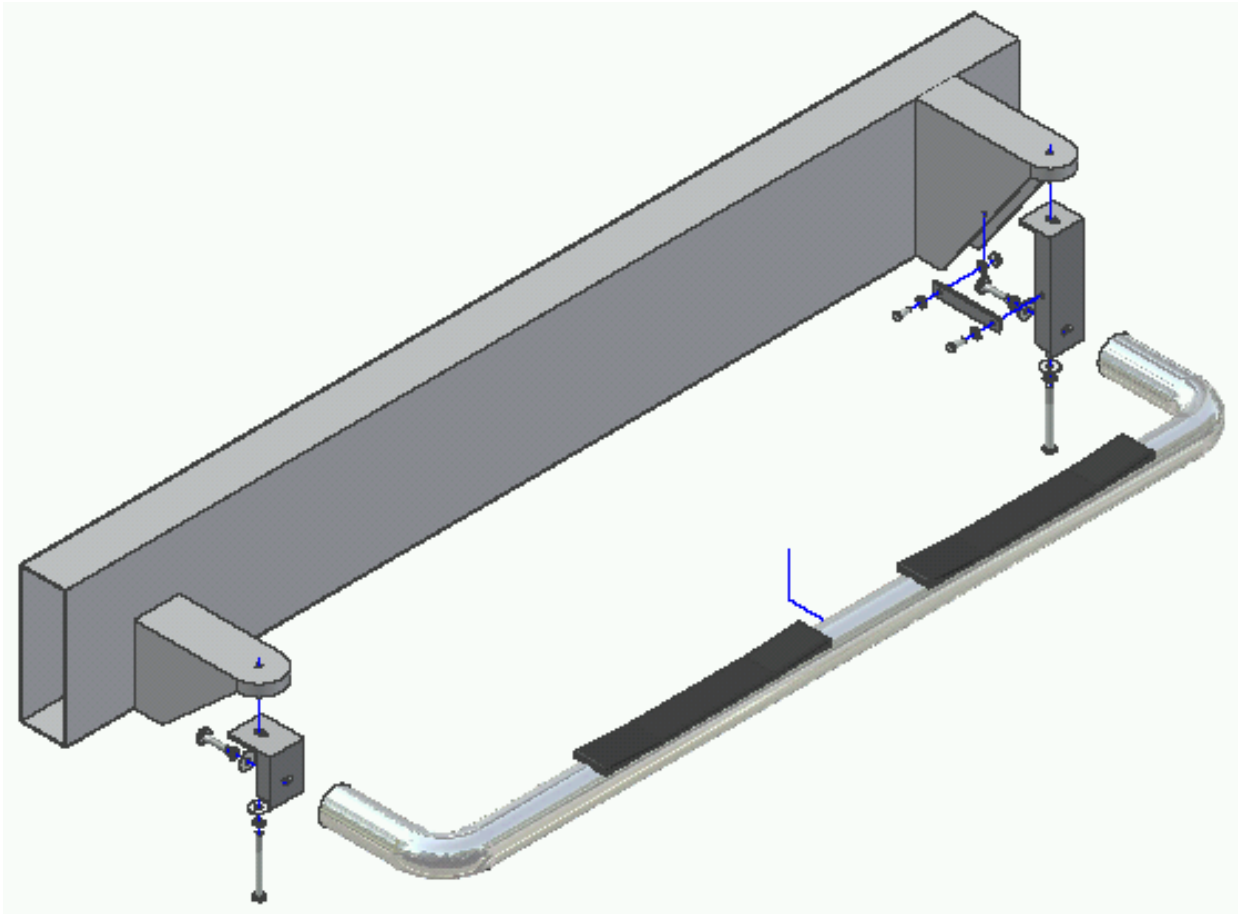


Figure 1.1 – Full Assembly View

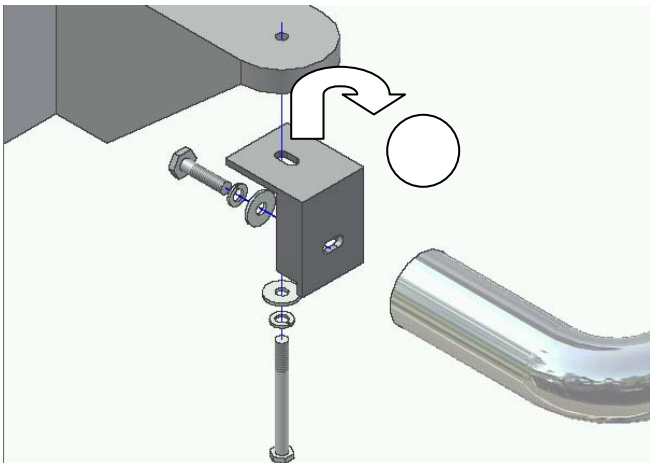


Figure 1.2 – Front Bracket (Spacer Plate not shown as white circle)

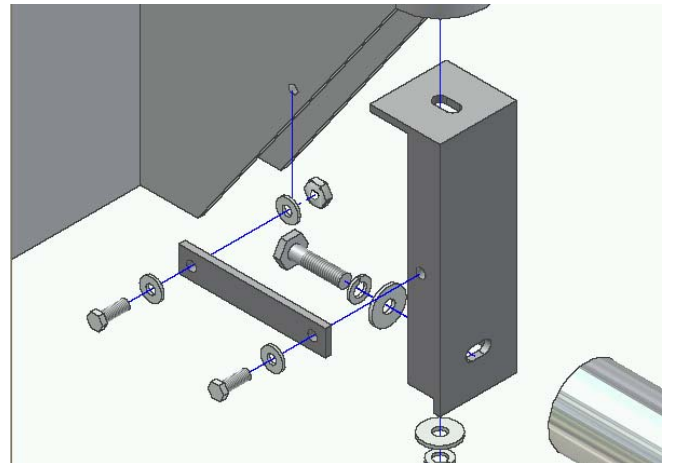


Figure 1.3 – Rear Bracket